

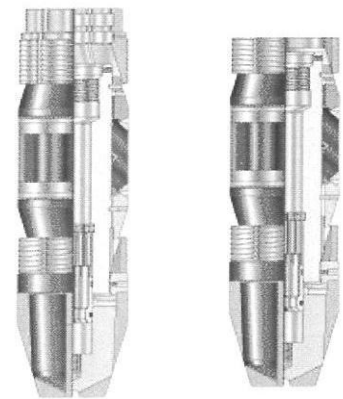
**TCI MSCR Mechanical Set Cement Retainer**  
**TCI WSCR Wire Line Set Cement Retainer**

The TCI cement retainer is a compact tool that can be converted from a mechanical set to a wire line set retainer or can be modified to run as a high pressure bridge plug. The cement retainer is designed for quick and easy drill up and is ideal for deep, hot, high risk or prolonged cement squeeze jobs.

**Features:**

- Can be modified to set mechanically or with electric wire line
- Components are rotationally locked for easy drill out
- Retaining rings assist in preventing element extrusion
- Rated to 69000 kpa (10000 psi) at 149<sup>0</sup>C (300<sup>0</sup>F) with standard element
- Able to set in P-110 casing

CASING OD in/mm	WEIGHT RANGE lb/ft / kg/m	TOOL OD in/mm	SETTING RANGE	
			MINIMUM in/mm	MAXIMUM in/mm
4.5 114.3	9.5-15.1 14.14-22.46	3.593 91.26	3.826 97.18	4.090 103.89
5.00 127.0	11.5-20.8 17.11-30.94	3.937 100.00	4.276 108.61	4.560 115.82
5.5 139.7	13.0-23.0 19.34-34.22	4.312 109.52	4.670 118.62	5.044 128.12
7.0 177.8	17.0-35.0 25.3-52.08	5.688 144.48	6.004 152.5	6.538 166.07



*\*Available in additional sizes.*

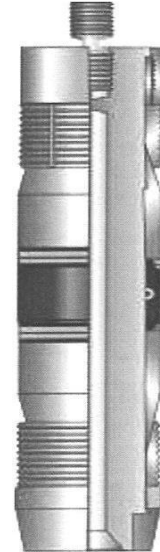


## TCI 10K Permanent Bridge Plug (PBP)

The TCI PBP 10K is a premium high pressure, wire line set, cast iron permanent bridge plug. The bridge plugs are ideal for isolating low pressure zones for temporary or permanent abandonment, fracturing and squeeze cementing.

### Features:

- Constructed with drillable materials.
- Retaining rings assist with preventing element extrusion.
- Top set with shear stud.
- Rated to 69000 kpa (10,000 psi) at 149°C (300°F).
- High temperature elements available upon request.
- Adaptable to most common electric wire line setting tools (GO and Baker).
- Adaptable to Hydraulic setting tools.



CASING O.D. in/mm	WEIGHT RANGE lbs/ft / kg/m	PLUG O.D. in/mm	SETTING RANGE		TCI PART REFERENCE
			MIN. in/mm	MAX. in/mm	
2.375 60.3	4.0-5.8 5.95-8.62	1.750 44.45	1.780 45.21	2.074 52.68	TM.10.Q.17
2.875 73.00	6.4-6.5 9.52-9.67	2.220 56.39	2.340 59.44	2.525 64.14	TM.10.Q.22
3.50 88.90	5.75-10.3 8.55-15.32	2.750 69.85	2.867 72.82	3.258 82.75	TM.10.Q.27
	12.8-15.8 19.04-23.50	2.430 61.72	2.548 64.72	2.764 70.21	TM.10.Q.24
4.00 101.6	5.6-14.0 8.33-20.82	3.140 79.76	3.340 84.84	3.732 94.79	TM.10.Q.31
4.50 114.3	9.5-15.1 14.14-22.46	3.500 88.90	3.826 97.18	4.090 103.89	TM.10.Q.35
5.00 127.00	11.5-20.8 17.11-30.94	3.937 100.00	4.154 105.51	4.560 115.82	TM.10.Q.39
5.50 139.7	13.0-23.0 19.34-34.22	4.312 109.52	4.580 116.33	5.044 128.12	TM.10.Q.43
7.00 177.8	17.0-35.0 25.30-52.08	5.687 144.45	6.000 152.40	6.538 166.07	TM.10.Q.56

\* Available in additional sizes.

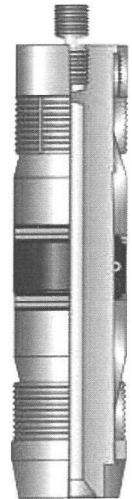


## TCI 5K Permanent Bridge Plug (PBP)

The TCI PBP 5K permanent is an economical low pressure, wire line set, cast iron permanent bridge plug. The bridge plug is ideal for isolating low pressure zones for temporary or permanent abandonment.

### Features:

- Economical/cost effective.
- Constructed with drillable materials.
- Top set with shear stud.
- Rated to 35000 kpa (5000 psi) at 93<sup>0</sup>C (200<sup>0</sup>F).
- Adaptable to most common electric wire line setting tools (GO and Baker).
- Adaptable to Hydraulic setting tools.



CASING O.D. in/mm	WEIGHT RANGE lbs/ft / kg/m	PLUG O.D. in/mm	SETTING RANGE		TCI PART REFERENCE
			MIN. in/mm	MAX. in/mm	
4.5 114.3	9.5-15.1 14.14-22.46	3.500 88.90	3.826 97.18	4.090 103.89	TM.05.Q.35
5.5 139.7	13.0-23.0 19.34-34.22	4.312 109.52	4.580 116.33	5.044 128.12	TM.05.Q.43
7.0 177.8	17.0-35.0 25.30-52.08	5.687 144.45	6.000 152.40	6.538 166.07	TM.05.Q.57

*\* Available in additional sizes.*

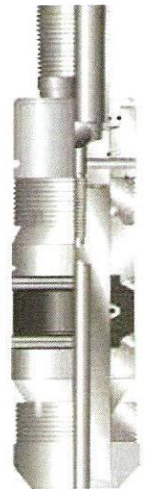


## TCI HMBP Hydro Mechanical Permanent Bridge Plug

The TCI HMBP is a high pressure, cast iron permanent bridge plug. The plug is run on tubing and is design to set with a combination of hydraulic pressure and mechanical pull. A built in setting tool is designed as part of the tool for efficiency. The bridge plug is ideal for isolating low pressure zones for temporary and permanent abandonment, fracturing squeeze cementing. Deviated wellbores are also an ideal use for the plug.

### Features:

- Constructed with drillable materials.
- One piece slip design
- Rated to 149<sup>0</sup>C (300<sup>0</sup>F) with standard element
- Right hand rotation release the setting tool from the plug
- 10000 psi (69000 kpa) rating



CASING OD In/mm	WEIGHT RANGE lb/ft / kg/m	PLUG OD In/mm	SETTING RANGE		TCI PART REFERENCE
			MINIMUM in/mm	MAXIMUM in/mm	
4.5 114.3	9.5-15.1 14.14-22.46	3.563 90.47	3.826 97.18	4.090 103.89	CA.10.Q.36.23
5.00 127.0	11.5-20.8 17.11-30.94	3.937 100.00	4.154 105.51	4.560 115.82	CA.10.Q.39.23
5.5 139.7	13.0-23.0 19.34-34.22	4.312 109.52	4.580 116.33	5.044 128.12	CA.10.Q.43.23
7.0 177.8	17.0-35.0 25.3-52.08	5.687 144.45	6.00 152.4	6.538 166.07	CA.10.Q.57.27

*Available in additional sizes contact TCI for information.*